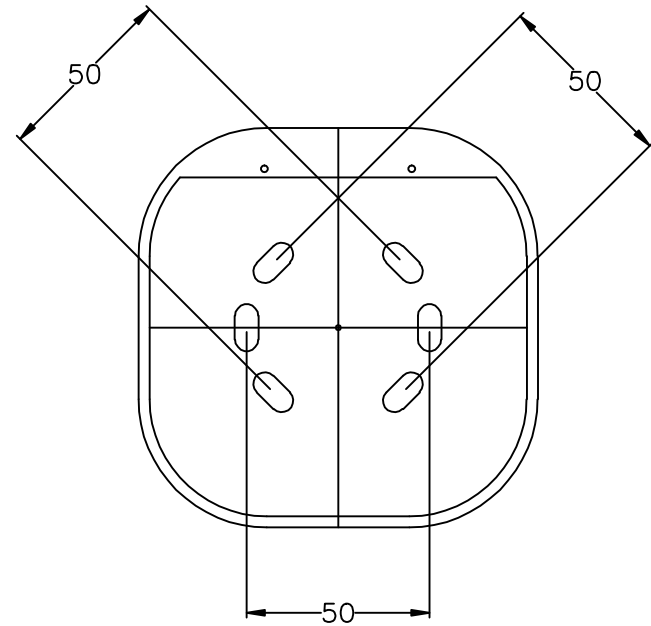
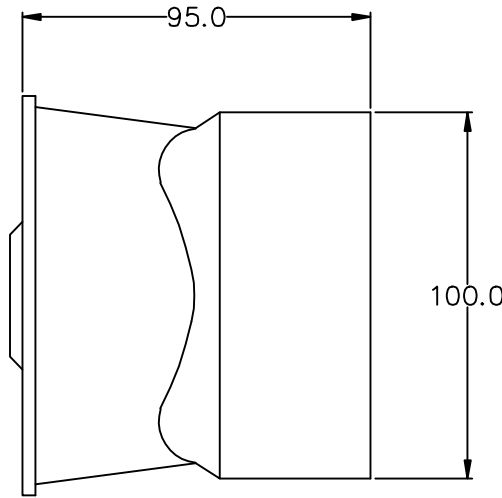
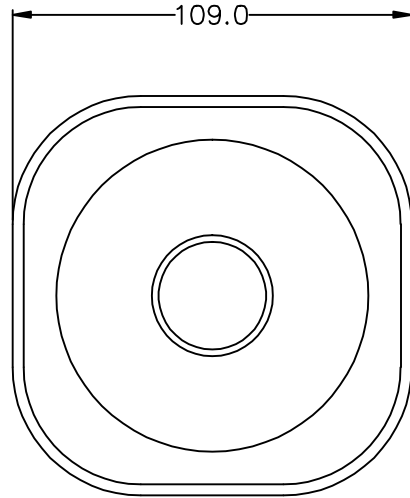


THIS DOCUMENT CONTAINS DATA PROPRIETARY TO PROJECTS UNLIMITED, INC. ANY USE OR REPRODUCTION, IN ANY FORM, WITHOUT PRIOR WRITTEN PERMISSION OF PROJECTS UNLIMITED, INC. IS PROHIBITED.
 © 2005, Projects Unlimited Inc.

SPECIFICATIONS

PARAMETERS	VALUES	UNITS
RATED VOLTAGE	24	Vdc
OPERATING VOLTAGE RANGE	9 ~ 28	Vdc
CURRENT CONSUMPTION	SEE 32 TONE CHART	—
OUTPUT TONE	SEE 32 TONE CHART	—
INGRESS PROTECTION	IP42	—
COLOR	RED	—
OPERATING TEMPERATURE	-25 ~ +55	°C
HOUSING MATERIAL	ABS	—
WEIGHT	580	grams


REVISIONS			
LTR	DESCRIPTION	DATE	APPROVED
—	RELEASED FROM ENGINEERING	12/20/05	
A	ADDED RoHS NOTE	5/22/07	R.W.



NOTES:

- ALL DIMENSIONS ARE IN MILLIMETERS.
- SPECIFICATION SUBJECT TO CHANGE OR WITHDRAWAL WITHOUT NOTICE.
- THIS PART IS RoHS 2002/95/EC COMPLIANT.

FILE NAME
AW30SBR.DWG

UNLESS OTHERWISE SPECIFIED: DIMENSIONS ARE IN MILLIMETERS, TOLERANCES ARE ±0.5 AND ANGLES ARE ±3°.		 projects® unlimited Dayton, Ohio									
<table border="1"> <thead> <tr> <th>APPROVALS</th> <th>DATE</th> </tr> </thead> <tbody> <tr> <td>DRAWN <i>J.A.F.</i></td> <td>12/05</td> </tr> <tr> <td>CHECKED <i>E.P.</i></td> <td>12/05</td> </tr> <tr> <td>APPROVED <i>B.R.</i></td> <td>12/05</td> </tr> </tbody> </table>		APPROVALS	DATE	DRAWN <i>J.A.F.</i>	12/05	CHECKED <i>E.P.</i>	12/05	APPROVED <i>B.R.</i>	12/05	SIREN	
APPROVALS	DATE										
DRAWN <i>J.A.F.</i>	12/05										
CHECKED <i>E.P.</i>	12/05										
APPROVED <i>B.R.</i>	12/05										
<table border="1"> <thead> <tr> <th>APPROVALS</th> <th>DATE</th> </tr> </thead> <tbody> <tr> <td>DRAWN <i>J.A.F.</i></td> <td>12/05</td> </tr> <tr> <td>CHECKED <i>E.P.</i></td> <td>12/05</td> </tr> <tr> <td>APPROVED <i>B.R.</i></td> <td>12/05</td> </tr> </tbody> </table>		APPROVALS	DATE	DRAWN <i>J.A.F.</i>	12/05	CHECKED <i>E.P.</i>	12/05	APPROVED <i>B.R.</i>	12/05	SIZE A	DRAWING NO. AW-30SBR
APPROVALS	DATE										
DRAWN <i>J.A.F.</i>	12/05										
CHECKED <i>E.P.</i>	12/05										
APPROVED <i>B.R.</i>	12/05										
DO NOT SCALE DRAWING		SCALE: N.T.S.	SHEET 1 OF 1								

Primary tone	Secondary tone	Switch setting	Tone description				Main Application	AW-30				
								12 VDC	12 Vdc on axis @1M	24 VDC	24 Vdc on axis @1M	EN54-3 28Vdc see notes
			12345	Pattern	Frequency Hz	Rate		Depiction	mA	dB(A)	mA	dB(A)
1	14	11111	Alternating	800 & 970	2Hz (250ms-250ms)		BS Fire tone	120	108	240	113	*
2	14	11110	Sweep	800 to 970	7Hz (7/s)		BS Fire tone	120	107	230	113	*
3	36	11101	Sweep	800 to 970	1Hz (1/s)		BS Fire tone	120	108	240	114	110
4	14	11100	Continuous	2850	Steady			100	111	210	119	*
5	4	11011	Sweep	2400 to 2850	7Hz			100	111	210	118	*
6	4	11010	Sweep	2400 to 2850	1Hz			100	112	210	120	*
7	14	11001	Slow whoop	300 to 1200	3s sweep, 0.5 s silence, then repeat		Dutch Fire tone	130	108	240	113	110
8	14	11000	Sweep (DIN)	1200 to 500	1Hz		Din tone	130	107	240	112	109
9	4	10111	Alternating	2400 & 2850	2Hz (250ms-250ms)			110	112	210	117	*
10	14	10110	Intermittent	970	0.5Hz (1s On/1s Off)			130	108	250	113	*
11	14	10101	Alternating	800 & 970	1Hz (500ms-500ms)		BS Fire tone	120	108	230	113	*
12	4	10100	Intermittent	2850	0.5Hz (1s On/1s Off)			100	111	210	117	*
13	14	10011	Intermittent	970	0.8Hz (250ms On/1s Off)			130	107	260	113	*
14	14	10010	Continuous	970	Steady		BS Fire tone	130	107	250	112	109
15	14	10001	Alternating	554 & 440	100ms-400ms		French fire tone	100	102	200	108	*
16	16	10000	Intermittent	660	3.3Hz (150ms On/150ms Off)		Swedish fire tone	100	105	230	111	*
17	17	01111	Intermittent	660	0.28Hz (1.8s On/1.8s Off)		Swedish fire tone	110	106	230	111	*
18	18	01110	Intermittent	660	0.05Hz (13s Off / 6.5Hz On)		Swedish fire tone	110	106	240	111	*
19	19	01101	Continuous	660	Steady		Swedish fire tone	110	105	220	110	*
20	20	01100	Alternating	554 & 440	0.5Hz (1s On/1s Off)		Swedish fire tone	110	102	210	108	*
21	21	01011	Intermittent	660	1Hz (500ms-500ms)		Swedish fire tone	110	106	230	111	*
22	14	01010	Intermittent	2850	4Hz (150ms On/100ms Off)		Pelican crossing	100	110	210	116	*
23	14	01001	Sweep	800 to 970	50Hz		BS Fire tone	120	107	230	112	*
24	4	01000	Sweep	2400 to 2850	50Hz			90	110	190	116	*
25	25	00111	Intermittent	970	3 x 500ms pulses followed by 1.5s silence then repeat		ISO 8201	130	108	260	113	*
26	26	00110	Intermittent	2850	3 x 500ms pulses followed by 1.5s silence then repeat		ISO 8201	100	111	220	117	*
27	27	00101	Continuous	4000	Steady			110	103	220	108	*
28	10	00100	Alternating	800 & 970	2Hz (250ms-250ms)		BS Fire tone	120	108	230	113	*
29	33	00011	Alternating	990 & 650	2Hz (250ms-250ms) (Symphoni tones)		BS Fire tone	120	106	230	111	108
30	36	00010	Alternating	510 & 610	2Hz (250ms-250ms) (Squashni Micro tones)		BS Fire tone	100	105	190	111	108
31	31	00001	Sweep	300 to 1200	1Hz			120	106	230	111	*
32	32	00000	Continuous	4000	Steady			110	103	220	108	*

Note (a): Tones approved under the Construction Products Directive for Fire Alarm Applications, are shown in the column marked EN54-3.

Note (b): EN54-3 measurements shown reflect minimum expected SPL readings at Maximum Volume at the Loudest Point around the EN54-3 defined sounder axis.

Note (c): All other tone measurements reflect manufacturers data based on 'on axis' measurements, and are not verified by a Notified body.

Note (d): All measurements taken at 20oC operating temperature.